



Portable Power Accessories

Power at Work

PRO-XT

Pro-XT is the professional's choice for Portable Power. Developed as the first globally viable portable power offer for trade, Pro-XT delivers a new level of performance and innovation. The Pro-XT brand recognises the true requirements of trade, providing reliability, choice and value for end users.



Five Year Warranty

Masterplug offers a five year warranty on its Pro-XT cable reels.

This warranty is an acknowledgement that Masterplug will repair or replace the reel if a fault appears within five years of purchase.

Key Features

- Robust construction
- Guaranteed reliability
- Unique functional design
- Engineered versatility



FEATURES & BENEFITS

ERGONOMIC HANDLE GRIP

A two-tone superior handle grip, for comfort and longevity.

PULL-OUT, DRUM WIND HANDLE

Quickly wind in the cable at the end of each use.

LOCALISED POWER SWITCH

Control the power where you are working.

INTEGRATED CABLE GUIDE

Cable guide reduces tangle and speeds up winding in.



THERMAL CUT-OUT

Prevents cable overheating when fully reeled, and allows you to reset if cut-out occurs.



HIGH VISIBILITY CABLE

High visibility ensures against tripping hazard and cable cut through.



POWER LED INDICATOR

LED indicator shows that power is live.



ROBUST BUILD

Designed and engineered for durability and longevity.



SPEED WIND HANDLE

Increased speed and control when winding in long lengths of cable from ground level or mounted anchor point.



WALL MOUNT ACCESSORY










Wall hanging brackets available for extra stability or easy storage.



USB CHARGING

Optional USB ports allow charging of mobile devices whilst working, keeping power tools connected.

CONTENTS

S	CASSETTE REEL	05	
M	CASE REEL	06	
L	OPEN REEL	07	
XL	OPEN REEL	08	
XL	METAL OPEN REEL	09	
L	110V METAL OPEN REEL	10	
L	REVERSE REEL WITH PULL OUT SOCKET	11	
AA	ANTI-TWIST REVERSE REEL	12	
AT	ANTI-TWIST FIXED REEL	13	
M	OPEN CABLE REEL WITH USB CHARGER	14	
A	ACCESSORIES	15	
A	RANGE EXTENSIONS	16	
MERCHANDISING		18	
GLOBAL POWER SOLUTIONS		19	

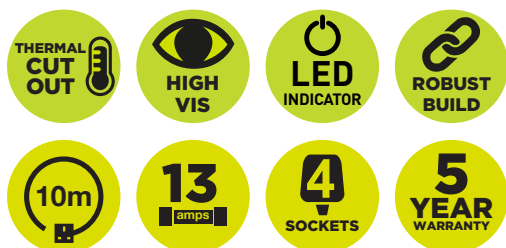


CASSETTE REEL

S

A portable solution for use in heavy duty applications.

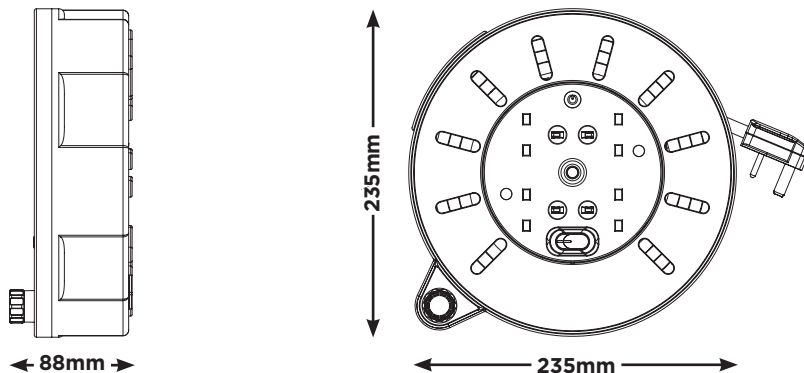
- Easy wind handle and rear grip
- Ergonomically designed
- Integrated power switch
- Optimised design for increased cable capacity



Cat No.	Description	Socket	Size	Cable Length	Plug	Barcode	Box Qty
UK STOCKED							
CMU10134SL	Cassette Reel	4 Sockets, Switch + LED	S	10m	13A Fused	5015056526577	5

NOTE - Additional options available on page 16-19

LINE DIAGRAMS



CASE REEL

M

A compact, sturdy solution for use in heavy duty applications.

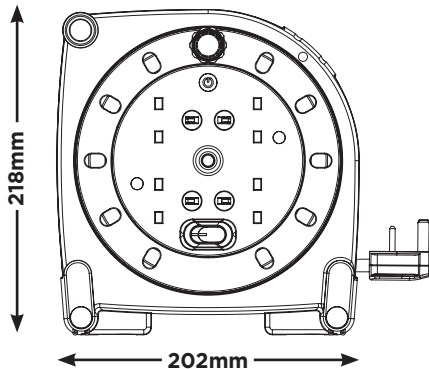
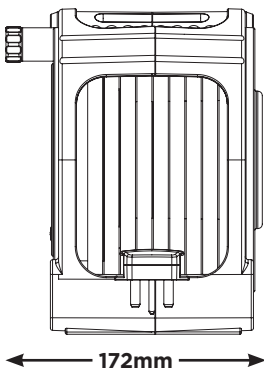
- Optimised design for ease of use and storage
- Easy wind handle and rear grip
- Ergonomically designed
- Integrated power switch



Cat No.	Description	Socket	Size	Cable Length	Plug	Barcode	Box Qty
UK STOCKED							
HMU15134SL	Case Reel	4 Sockets, Switch + LED	M	15m	13A Fused	5015056526560	3

NOTE - Additional options available on page 16-19

LINE DIAGRAMS



OPEN REEL



Lightweight and sturdy, this portable open reel, is designed for heavy duty applications.

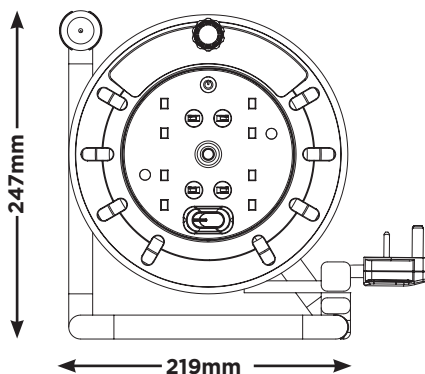
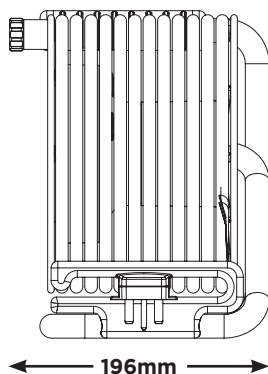
- Optimised design for ease of use and storage
- Easy wind handle
- Two-tone, ergonomic carry handle
- Integrated power switch
- Built-in cable guide
- Compatible with wall mount bracket



Cat No.	Description	Socket	Size	Cable Length	Plug	Barcode	Box Qty
UK STOCKED							
OMU25134SL	25M Open Reel	4 Sockets, Switch + LED	L	25m	13A Fused	5015056526546	2

NOTE - Additional options available on page 16-19

LINE DIAGRAMS

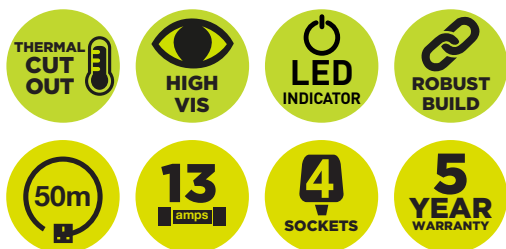


OPEN REEL

XL

An extra large, robust reel, suitable for all heavy duty applications.

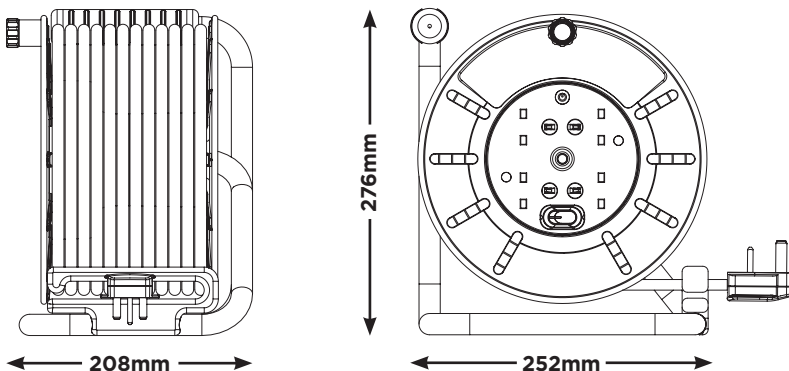
- Optimised design for ease of use and storage
- Easy wind handle
- Two-tone, ergonomic carry handle
- Integrated power switch
- Built-in cable guide
- Compatible with wall mount bracket



Cat No.	Description	Socket	Size	Cable Length	Plug	Barcode	Box Qty
UK STOCKED							
OLU50134SL	50M Open Reel	4 Sockets, Switch + LED	XL	50m	13A Fused	5015056526539	1

NOTE - Additional options available on page 16-19

LINE DIAGRAMS



METAL OPEN REEL

XL

A metal drum provides additional security for the most heavy duty tasks. Designed and engineered for longevity.

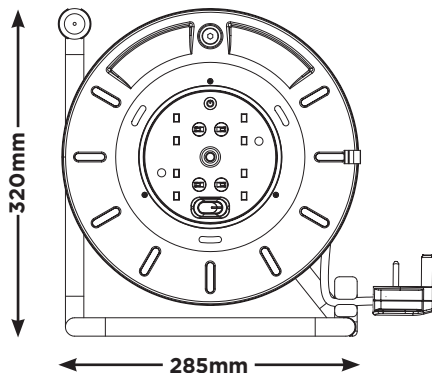
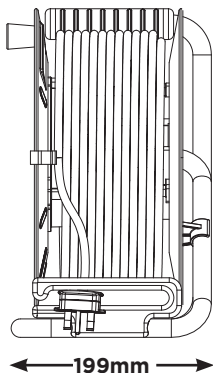
- Optimised design for ease of use and storage
- Heavy duty steel drum
- Two-tone, ergonomic carry handle
- Integrated power switch
- Built-in cable guide
- Compatible with wall mount bracket



Cat No.	Description	Socket	Size	Cable Length	Plug	Barcode	Box Qty
UK STOCKED							
OTLU40134SL	Metal Open Reel	4 Sockets, Switch + LED	XL	40m	13A Fused	5015056526522	1

NOTE - Additional options available on page 16-19

LINE DIAGRAMS



110V METAL OPEN REEL



110V power cable reel, heavy duty metal drum, engineered for use on-site.

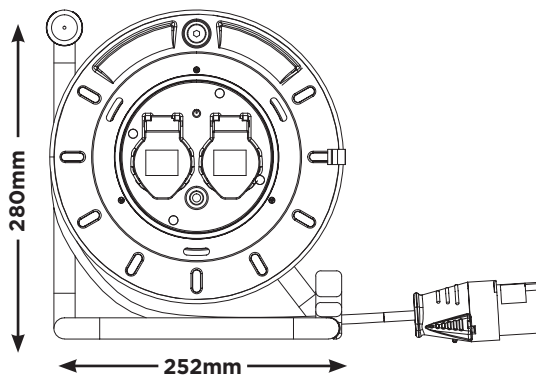
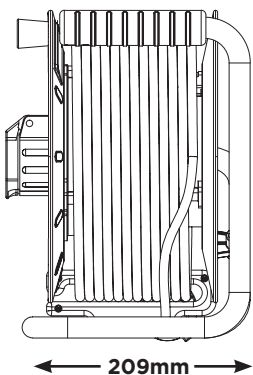
- Heavy duty steel drum
- IP rated weatherproof and dust-proof socket covers
- Two-tone, ergonomic carry handle
- Built-in cable guide



Cat No.	Description	Socket	Size	Cable Length	Plug	Barcode	Box Qty
UK STOCKED							
OTMU30162LV	110V Metal Open Reel	2 Sockets + LED	L	30m	16A 2P+E	55015056538624	1

NOTE - Additional options available on page 16-19

LINE DIAGRAMS



IP RATED REVERSE REEL WITH PULL OUT SOCKET



A reverse cable reel where the socket is pulled away to the point of use providing versatility and power where you need it.

- Easy wind handle
- Two-tone, ergonomic carry handle
- Built-in cable guide
- Compatible with wall mount bracket
- IP rated weatherproof socket



THERMAL CUT OUT

HIGH VIS

LED INDICATOR

ROBUST BUILD

25m + 3m

13 amps

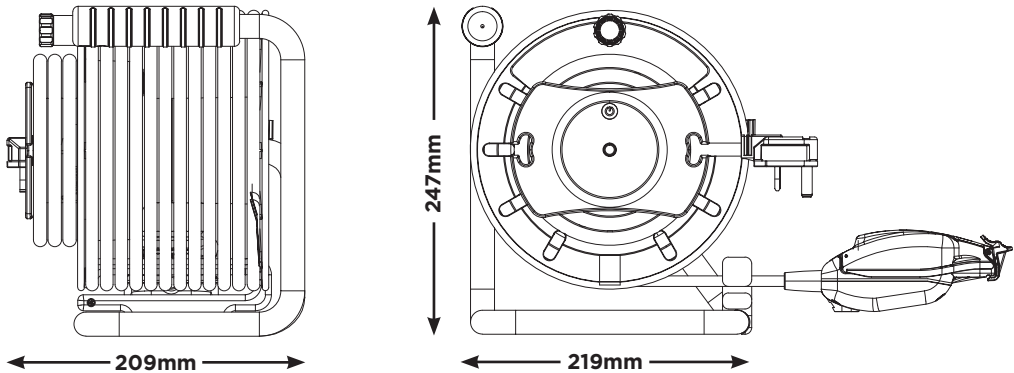
IP54

5 YEAR WARRANTY

Cat No.	Description	Socket	Size	Cable Length	Plug	Barcode	Box Qty
UK STOCKED							
OMU2513FL3IP	Reverse Reel With Pull Out Socket	1 IP54 Socket + LED	L	25m + 3m	13A Fused	5015056526553	1

NOTE - Additional options available on page 16-19

LINE DIAGRAMS



ANTI-TWIST REVERSE REEL



Innovative reverse reel with pull out socket and anti-twist design that keeps cables from getting tangled.

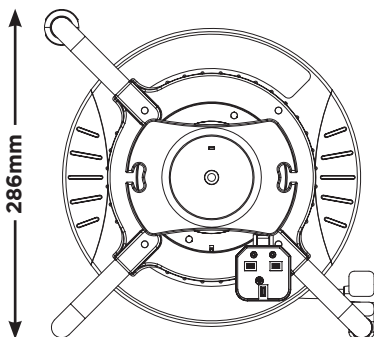
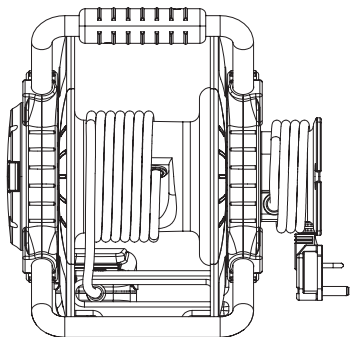
- Fold-out speed wind handle
- Supplied with wall mount bracket
- IP rated weatherproof socket
- IP rated socket ideal for use with pressure washers and in damp conditions



Cat No.	Description	Socket	Size	Cable Length	Plug	Barcode	Box Qty
UK STOCKED							
OATRU3013FL31P	Anti-Twist Reverse Reel	1 IP54 Socket, + LED	M	30m + 3m	13A Fused	5015056538952	1

NOTE - Additional options available on page 16-19

LINE DIAGRAMS



- Leave the reel behind
- Pull out socket
- Easy wind handle

ANTI-TWIST FIXED SOCKET



This robust cable reel has a fixed anti twist socket which prevents connected plugs and sockets from tangling.

- Fold-out speed wind handle
- Integrated power switch
- Compatible with wall mount bracket



THERMAL CUT OUT

HIGH VIS

LED INDICATOR

ROBUST BUILD

30m

13 amps

4 SOCKETS

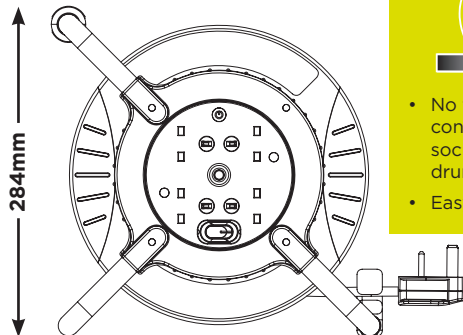
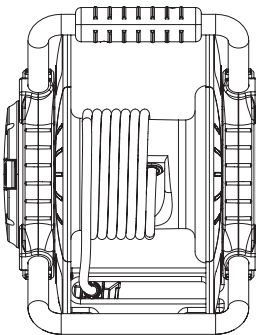
5 YEAR WARRANTY



Cat No.	Description	Socket	Size	Cable Length	Plug	Barcode	Box Qty
UK STOCKED							
OATFU30134SL	Anti-Twist Fixed Socket	4 Sockets, Switch + LED	M	30m	13A Fused	5015056538945	1

NOTE - Additional options available on page 16-19

LINE DIAGRAMS



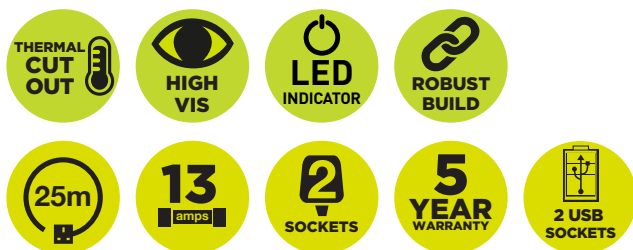
- No tangling of connected cables, sockets stay fixed as drum rotates
- Easy wind handle

OPEN REEL WITH USB CHARGING

M

Light weight open reel with two USB ports for charging mobile devices whilst working.

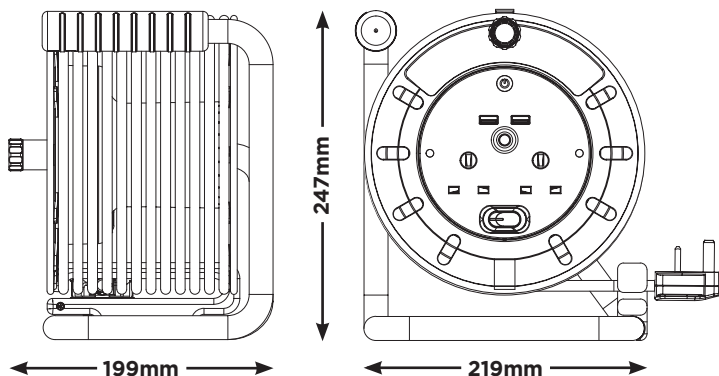
- Two USB ports (2.1A shared)
- Easy wind handle
- Two-tone, ergonomic carry handle
- Built-in cable guide
- Integrated power switch



Cat No.	Description	Socket	Size	Cable Length	Plug	Barcode	Box Qty
UK STOCKED							
OMU25132USL	Open Reel With USB Charging	2 Sockets, Switched + USB	M	25m	13A Fused	5015056560366	2

NOTE - Additional options available on page 16-19

LINE DIAGRAMS



- Charge your devices while you are working

CABLE TIDY

This wall mounted cable storage solution ensures loose extension leads are kept neat and tidy, as well as making them easy to transport.

- Two tone, ergonomic carry handle
- Home, garden and light commercial use

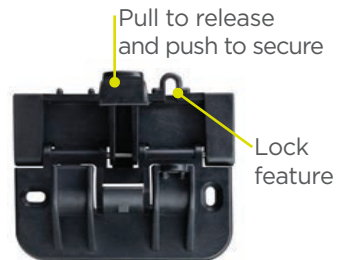


Keyhole wall fixings

WALL HANGING BRACKET

This simple accessory allows you to store your cable reel neatly on the wall when not required or provides a convenient anchor point when in use.

Ideal for use with “Reverse Reel” - pull out the socket and leave the reel behind.



Pull to release and push to secure

Lock feature

3 STEP INSTALLATION



1 Secure bracket to wall



2 Place cable reel within bracket



3 Secure cable reel

Cat No.	Description	Size	Barcode	Box Qty
UK STOCKED				
CHT	Cable Tidy	A	5015056531656	10
OWHB	Wall Hanging Bracket	A	5015056531700	10

RANGE EXTENSIONS

A

CABLE REELS

The modular design of Pro-XT cable reels allows for multiple options in configuration. Pro-XT has been designed to deliver the bespoke requirements of trade.

FRONT PLATE OPTIONS:

- Country specific sockets
- USB charger
- 110V sockets
- Reverse reel with pull out sockets
- Anti-twist reverse reel sockets
- Anti-twist fixed sockets



CABLE OPTIONS:

- PVC or rubber in various diameters and lengths

PLUG/IP RATED SOCKET OPTIONS:

- Country specific plugs
- RCD plug - available as part of the Pro-XT range
- Weatherproof socket



COMBINATION POSSIBILITIES



Metal Open Reel with USB



Reverse Case Reel



110V Plastic Open Reel



Blue Plastic Open Reel

RANGE EXTENSIONS

A

EXTENSION LEAD

- Heavy duty extension leads are available as part of the Pro-XT range
- 1, 2 and 4 gang options
- Additional weatherproof IP54 in-line socket options
- Power indicator and replaceable fuse on the 4 gang unit
- Available with cable tidy option



RANGE OPTIONS



1 gang extension lead



1 gang extension lead +IP Rated



2 gang extension lead



4 gang extension lead

NOTE:

Range extensions are available upon request from your sales manager, subject to MOQ and lead time constraints.



MERCHANDISING

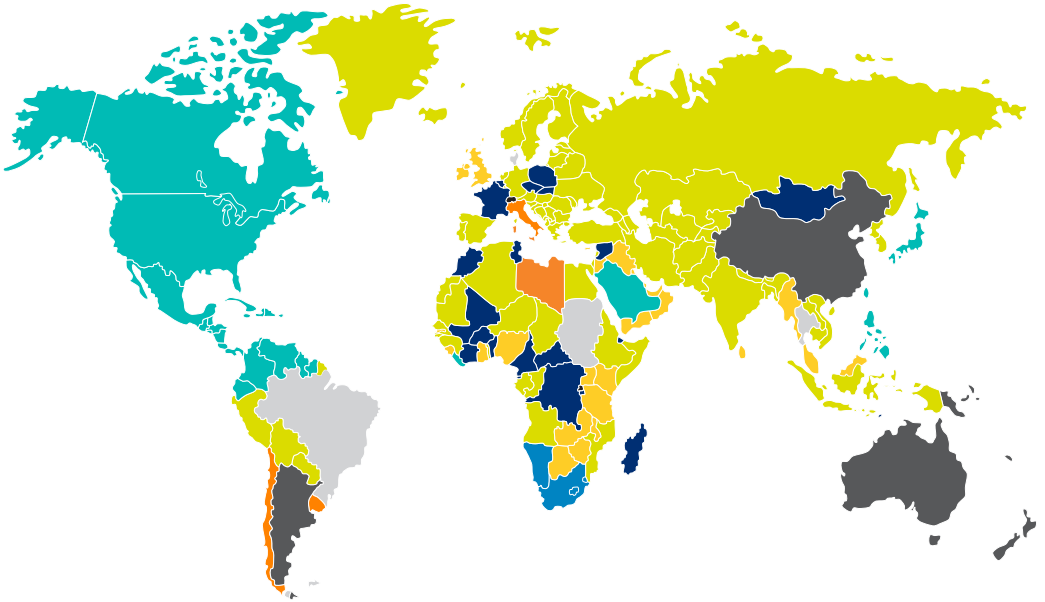
Masterplug can provide the highest level of merchandising support. We have a wealth of experience in planogram design, and program implementation.

In order to boost sales, we can offer numerous merchandising solutions to suit retail space available, including quarter or full pallet promotional displays and fixture clip strips for accessories and extension leads.

Tailored promotions can be arranged to suit all quality and price requirements so that resellers can provide additional value offers to the customer.

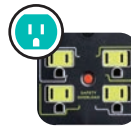


GLOBAL POWER SOLUTIONS



Socket Type	Plug Icon	Technical	Typical countries of use
SOCKET TYPES PER COUNTRY			
B		15A, 100-127V	US, Canada, Mexico & Japan
E		16A, 220-240V	France, Belgium, Poland & Czech Republic
F		16A, 220-240V	Most European countries, & Russia
G		13A, 220-240V	UK, Eire, Middle East, Malaysia, Singapore & HK
I		10A 220-240V	Australia, New Zealand, China & Argentina
J		10A 220-240V	Switzerland
L		10A/ 16A 220-240V	Italy & Chile
M		15A, 220-240V	South Africa
N/A		Up to 13A 220-240V	Universal

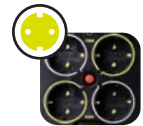
SOCKET TYPE



US, CANADA,
MEXICO & JAPAN



FRANCE, BELGIUM, POLAND
& CZECH REPUBLIC



MOST EUROPEAN
COUNTRIES, & RUSSIA



UK, EIRE, MIDDLE EAST,
MALAYSIA, SINGAPORE & HK



AUSTRALIA, NEW ZEALAND,
CHINA & ARGENTINA



SWITZERLAND



ITALY & CHILE



SOUTH AFRICA



UNIVERSAL

UK:**HEAD OFFICE:**

Email: info@luceco.com
Luceco plc, Caparo House
103 Baker Street, London
England, W1U 6LN

DISTRIBUTION CENTRE:

Tel: +44 (0) 1952 238 100
Email: sales@masterplug.com
Luceco plc
Luceco Distribution Centre
Stafford Park 1, Telford
Shropshire, England, TF3 3BD

GERMANY:

Tel: +49 40 89066 878 - 0
Email: eu_sales@luceco.com
Nexus Industries GmbH
Holstenplatz 20b
22765 Hamburg, Germany

FRANCE:

Tel: +33 (0)1 61 10 10 35
Email: fr_sales@luceco.com
Luceco SAS France & Belux
3 Rue de Courtalin
Magny Le Hongre 77700
Paris, France

ITALY:

Tel: +39 0434 1696795
Email: it_sales@luceco.com
Nexus Italia, Via Amman 10
33170 Pordenone, Italy

SPAIN:

Tel: +34 93 829 55 75
Email: es_sales@luceco.com
Nexus Industries LTD
C/ Bobinadora 1-5
08302 Mataró
Barcelona (SPAIN)

MIDDLE EAST:

Tel: +971 4 609 1867
Email: mea_sales@luceco.com
Luceco Middle East FZCO
Bldg. 5EB, Office 342
PO Box 371128, DAFZA
Dubai, UAE

ASIA PACIFIC:**JIAXING:**

Tel: +86 (0) 573 8357 0200
Email: asia_sales@luceco.com
No 1438, Jiachuang Road
Xiuzhou Industrial Park, Jiaxing
Zhejiang, China, P.C. 314031

HONG KONG:

Tel: +852 3520 2622
Email: hk_sales@luceco.com
Luceco (Hong Kong) Ltd
Unit D, 15th Floor MG Tower
133 Hoi Bun Road
Kwun Tong, Kowloon
Hong Kong

UNITED STATES:

Tel: +1 281 978 2509
Email: us_sales@luceco.com
Luceco Inc, 11050 W Little York Road
Building C-2, Houston, TX 77041,
USA

MEXICO & LATIN AMERICA:

Tel: +52 (81) 5000 9437
Email: ventas@luceco.com
Luceco México S. de R.L. de C.V.
Batallón de San Patricio #109 Sur,
Col. Valle Oriente, San Pedro Garza
García N.L. México CP 66260
(Torre Avalanz, Piso #20, Oficina
2009)

AFRICA:

Tel: +27 11 432 6779
Email: africa_sales@luceco.com
Unit 2, Cedarwood Office Park
Cnr. Western Service and
Mount Lebanon Road, Woodmead
South Africa, 2144

TECHNICAL SUPPORT:

Tel: 03300 249 279
Email:
technical.support@masterplug.com
Lines open Monday to Friday
8.30am to 5pm, with answer phone
service outside these hours.

LUCECO plc

a Luceco plc group company



LUCECO

www.masterplug.com